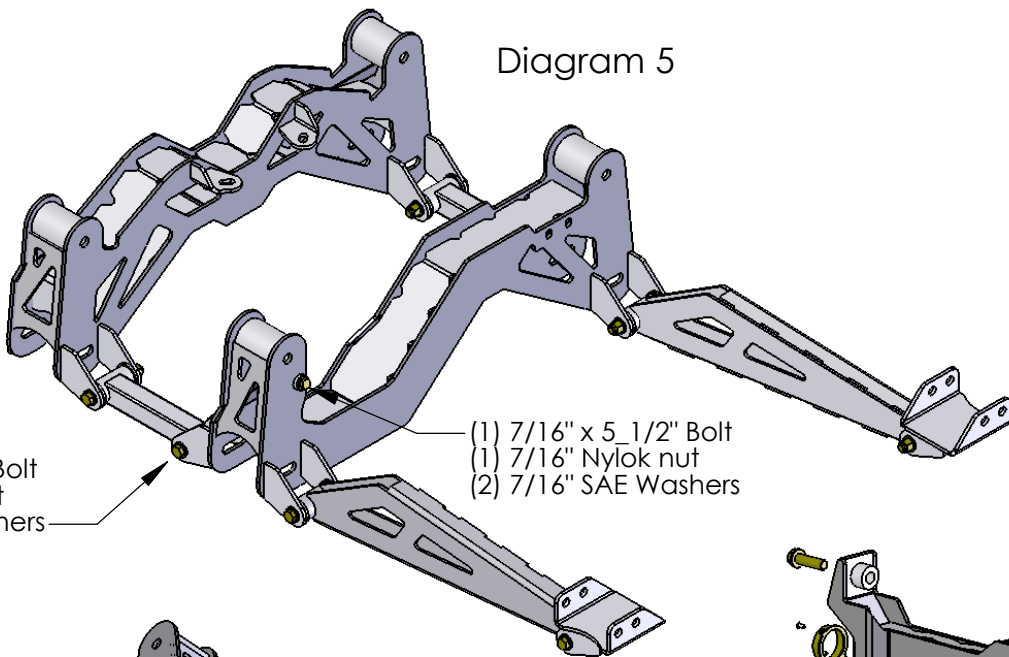


Diagram 5



- (8) 1/2" x 3_3/4" Bolt
- (8) 1/2" Nylok nut
- (8) 1/2" SAE Washers

- (1) 7/16" x 5_1/2" Bolt
- (1) 7/16" Nylok nut
- (2) 7/16" SAE Washers

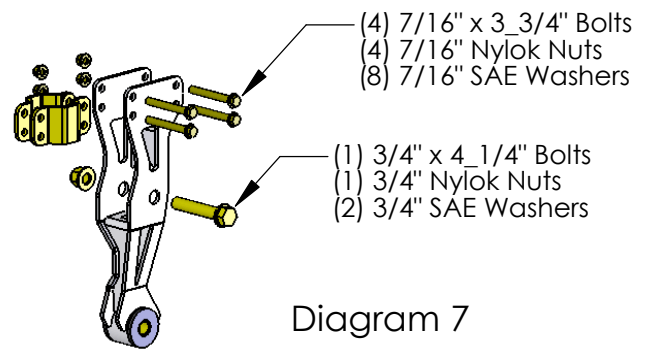


Diagram 7

- (4) 7/16" x 3_3/4" Bolts
- (4) 7/16" Nylok Nuts
- (8) 7/16" SAE Washers
- (1) 3/4" x 4_1/4" Bolts
- (1) 3/4" Nylok Nuts
- (2) 3/4" SAE Washers

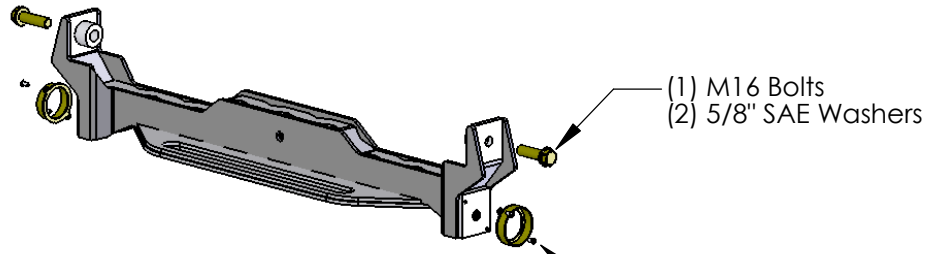


Diagram 8

- (1) M16 Bolts
- (2) 5/8" SAE Washers

- (4) 10-32 x 1/2" Screw

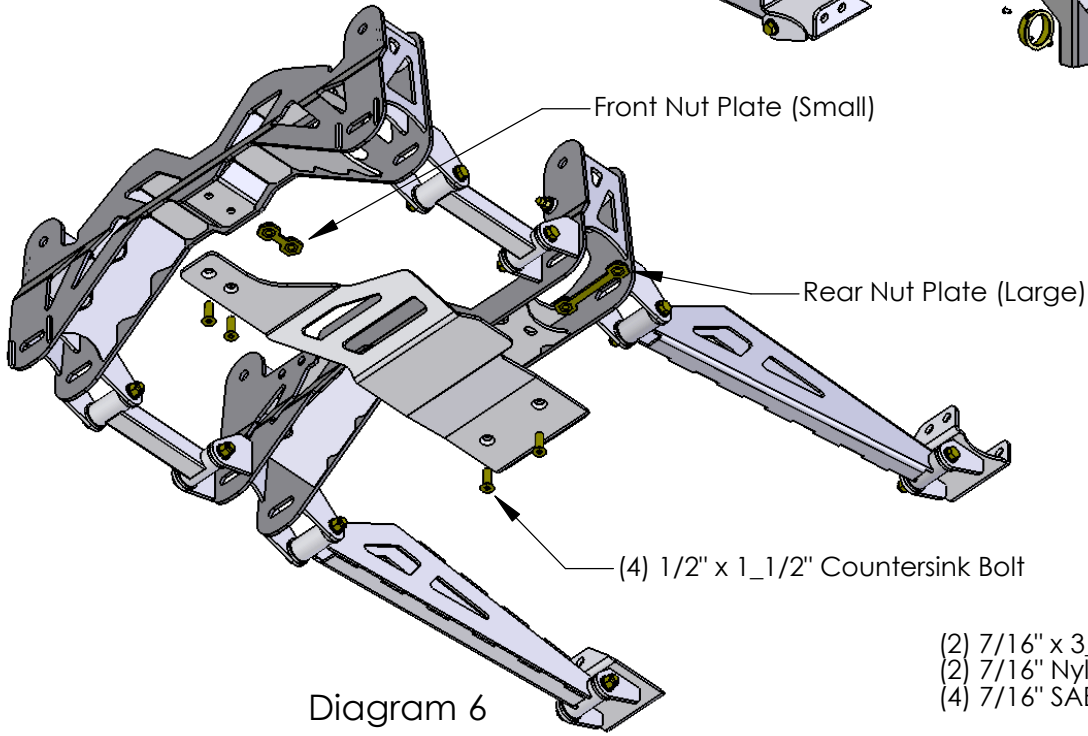


Diagram 6

Front Nut Plate (Small)

Rear Nut Plate (Large)

- (4) 1/2" x 1_1/2" Countersink Bolt

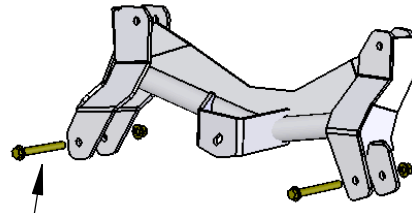


Diagram 9

- (2) 7/16" x 3_3/4" Bolt
- (2) 7/16" Nylok nut
- (4) 7/16" SAE Washers

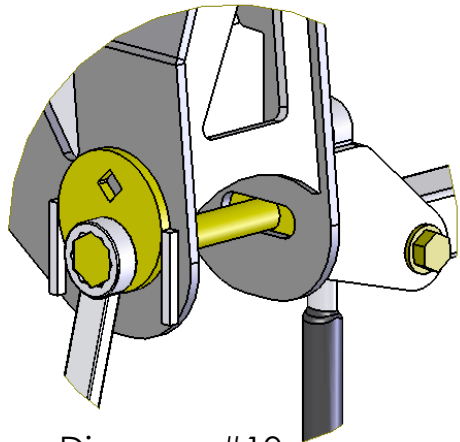


Diagram #10

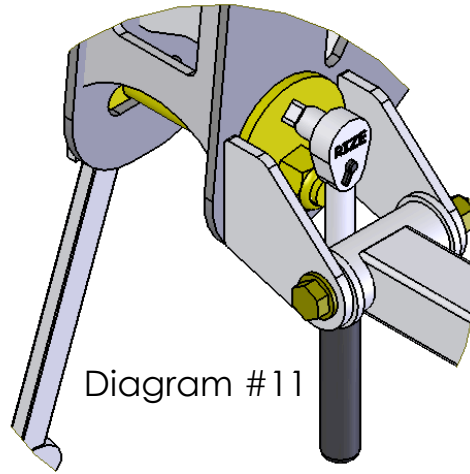


Diagram #11

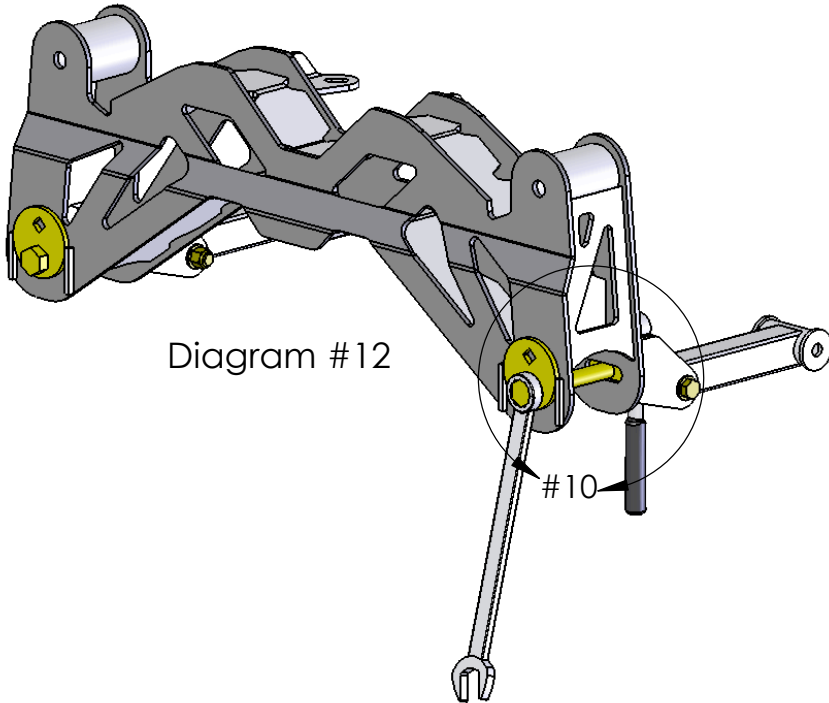


Diagram #12

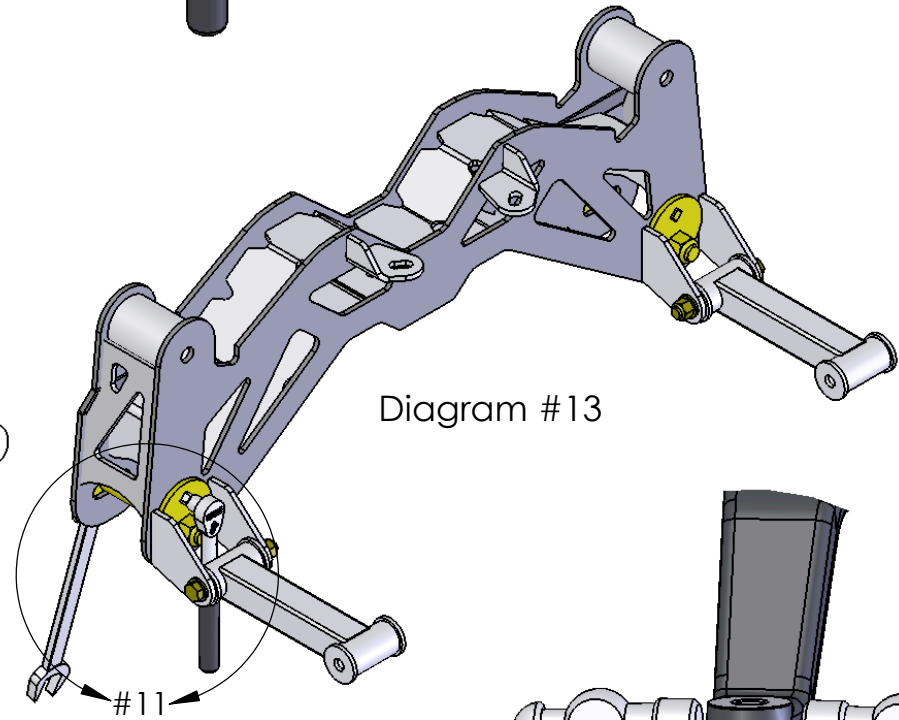


Diagram #13

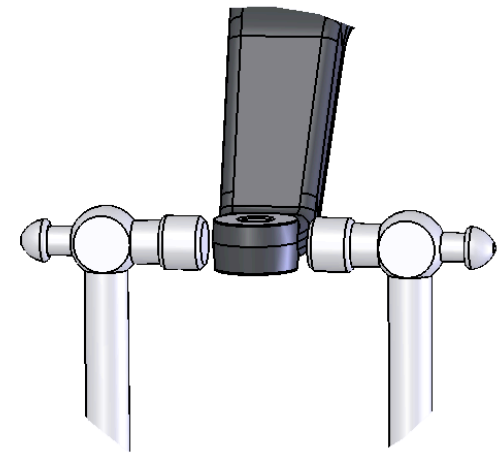


Diagram 14