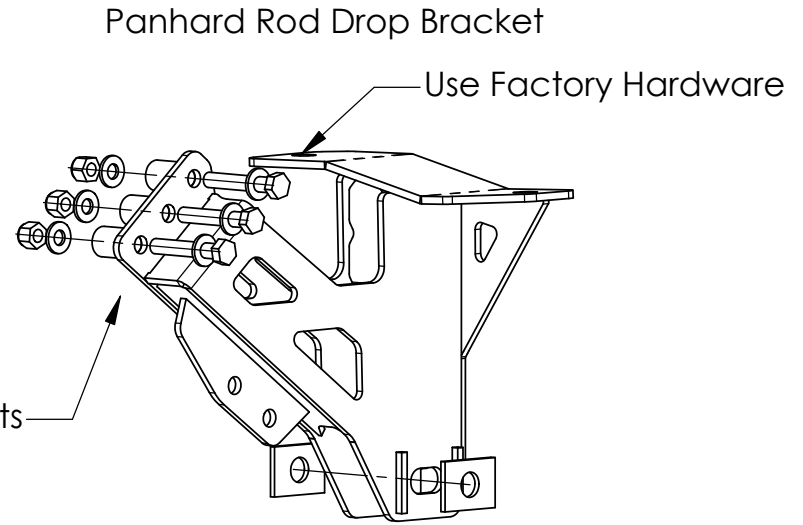


DIAGRAM 1



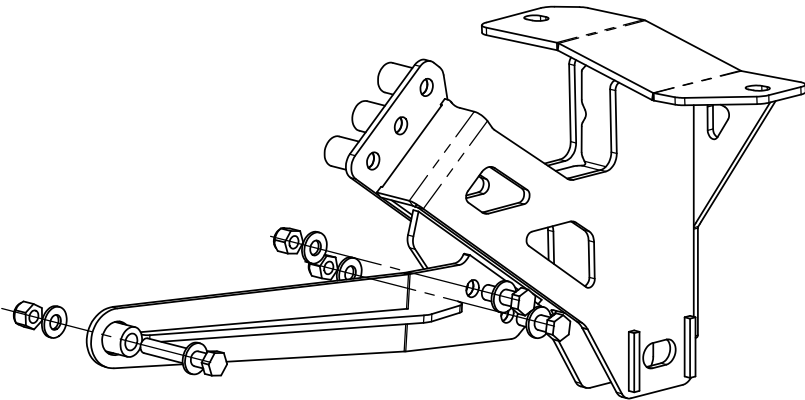
Panhard Rod Drop Bracket

Use Factory Hardware

- (3) 1/2x3" Bolts
- (6) 1/2" Washers
- (3) 1/2" Nylok Nuts

Diagram 2a

Panhard Rod Drop Bracket
w/ Support Gusset



- (2) 1/2x1_1/2" Bolts
- (1) 1/2x3" Bolt
- (6) 1/2" Washers
- (3) 1/2" Nylok Nuts

Diagram 2b

Rize Industries, LLC.
919 El Cajon Blvd.
El Cajon CA 92020
Tel. 619-447-0110

Diagram 3

6in Radius Arm Drop Bracket
Driver Side Shown

Driver Side Shown
Top rounded edge
goes to outside of vehicle

- (2) 3/4"-10 x 3" Bolt
- (2) 3/4"-10 Nylok Nut
- (4) 3/4" Washer

Use Stock Bolt
In Stock Radius Arm

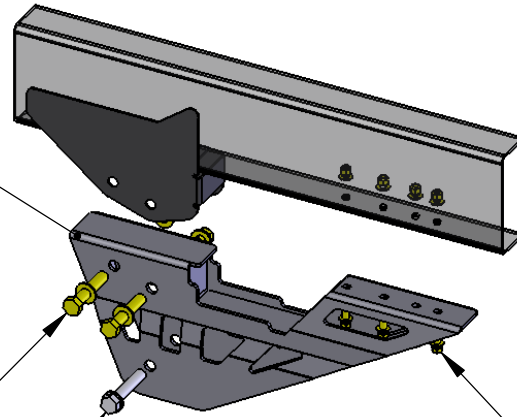


Diagram 4

- (4) 7/16"-14 x 1_1/2" Bolt
- (4) 7/16"-14 Nylok Nut
- (8) 7/16" Washer

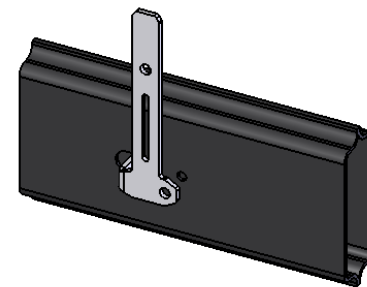


Diagram 5