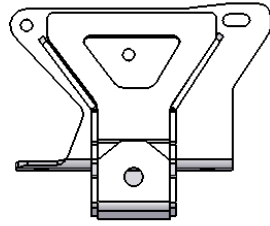
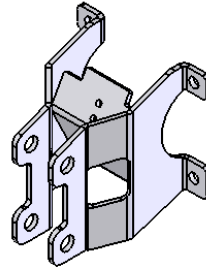


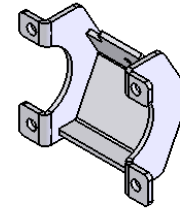
Frame Mount Driver



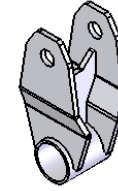
Frame Mount Passenger



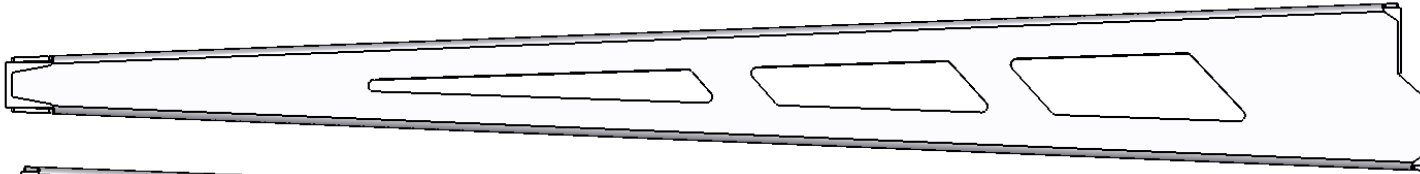
Axle Mount Front



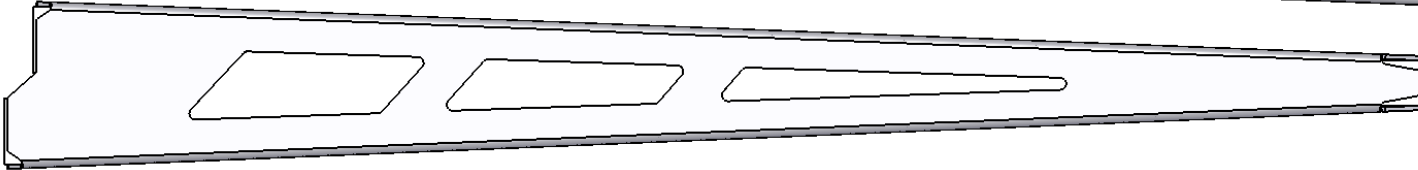
Axle Mount Rear



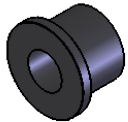
Shackle



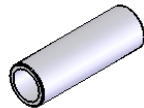
Traction Bar Driver



Traction Bar Passenger



Bushing Halves



1"OD 3/4" ID Bushing Liner



1" to 3/4" Heim Misalignment Spacer



3/4" Strait Heim Spacer

PROPRIETARY AND CONFIDENTIAL
 THE INFORMATION CONTAINED IN THIS DRAWING IS THE SOLE PROPERTY OF RIZE INDUSTRIES. ANY REPRODUCTION IN PART OR AS A WHOLE WITHOUT THE WRITTEN PERMISSION OF RIZE INDUSTRIES IS PROHIBITED AND WILL BE PROSECUTED TO THE FULLEST EXTENT OF THE LAW.

		UNLESS OTHERWISE SPECIFIED: DIMENSIONS ARE IN INCHES TOLERANCES: FRACTIONAL ± ANGULAR: MACH ± BEND ± TWO PLACE DECIMAL ± THREE PLACE DECIMAL ±		NAME	DATE
			DRAWN		
		INTERPRET GEOMETRIC TOLERANCING PER: MATERIAL		CHECKED	
			ENG APPR.		
		FINISH		MFG APPR.	
			Q.A.		
NEXT ASSY	USED ON		COMMENTS:		
APPLICATION		DO NOT SCALE DRAWING			

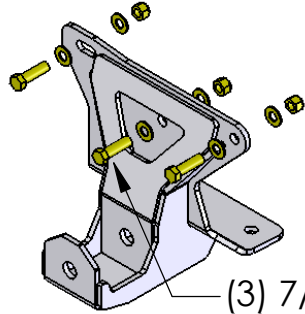
RIZE INDUSTRIES, LLC.

TITLE:

SIZE A	DWG. NO. Trac bar Frame Mount Drv	REV
------------------	--------------------------------------	-----

SCALE: 1:8	WEIGHT:	SHEET 1 OF 9
------------	---------	--------------

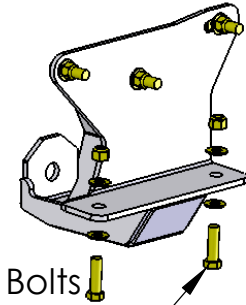
Mounting Hardware
Side of Frame
(Use Existing Holes in Frame,
Holes Must Be Enlarged)



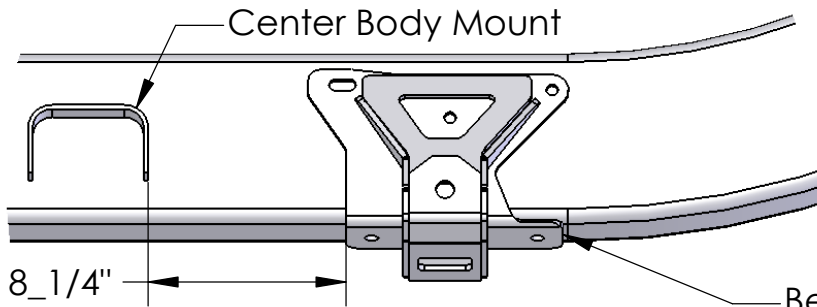
- (3) 7/16 x 1_1/2" Bolts
- (6) 7/16" Washers
- (3) 7/16" Nylok Nuts

- 1 - Find Mounting Location
- 2 - Enlarge Side Frame Holes
- 3 - Install Mount w/ Side Holes
(NOTE: BE SURE MOUNT IS FIRMLY
(AGAINST BOTTOM OF FRAME))
- 4 - Drill Bottom Holes
- 5 - Install Bottom Hardware

Mounting Hardware
Bottom of Frame
(Holes Must Be Drilled In Frame)

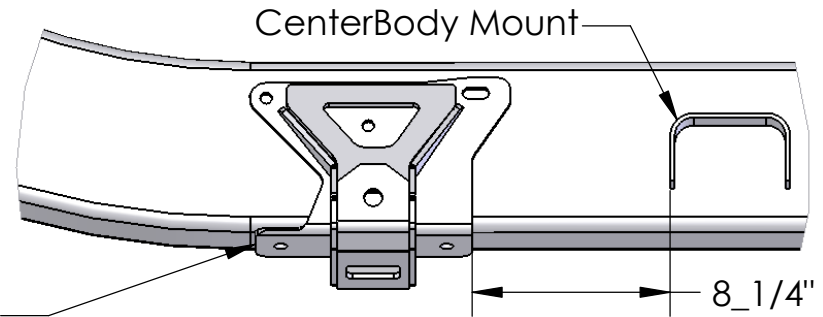


- (2) 7/16 x 1_1/2" Bolts
- (4) 7/16" Washers
- (2) 7/16" Nylok Nuts



Driver Side Frame Mount Location

Be Sure Mount is
Firmly Against
Bottom of Frame



Passenger Side Frame Mount Location

PROPRIETARY AND CONFIDENTIAL
THE INFORMATION CONTAINED IN THIS DRAWING IS THE SOLE PROPERTY OF RIZE INDUSTRIES. ANY REPRODUCTION IN PART OR AS A WHOLE WITHOUT THE WRITTEN PERMISSION OF RIZE INDUSTRIES IS PROHIBITED AND WILL BE PROSECUTED TO THE FULLEST EXTENT OF THE LAW.

		UNLESS OTHERWISE SPECIFIED:	NAME	DATE
		DIMENSIONS ARE IN INCHES	DRAWN	
		TOLERANCES:	CHECKED	
		FRACTIONAL ±	ENG APPR.	
		ANGULAR: MACH ± BEND ±	MFG APPR.	
		TWO PLACE DECIMAL ±	Q.A.	
		THREE PLACE DECIMAL ±	COMMENTS:	
		INTERPRET GEOMETRIC TOLERANCING PER:		
		MATERIAL		
NEXT ASSY	USED ON	FINISH		
APPLICATION		DO NOT SCALE DRAWING		

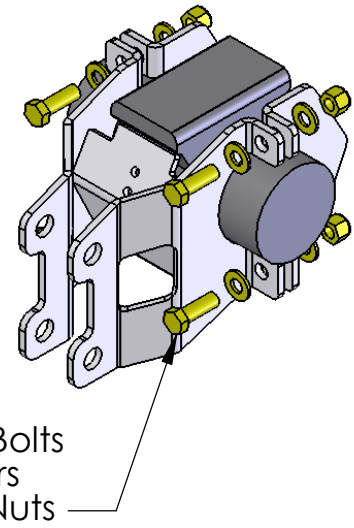
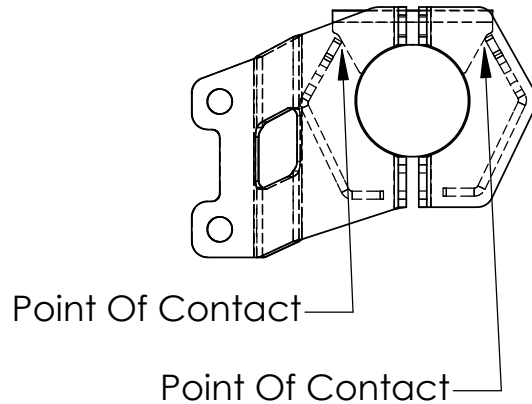
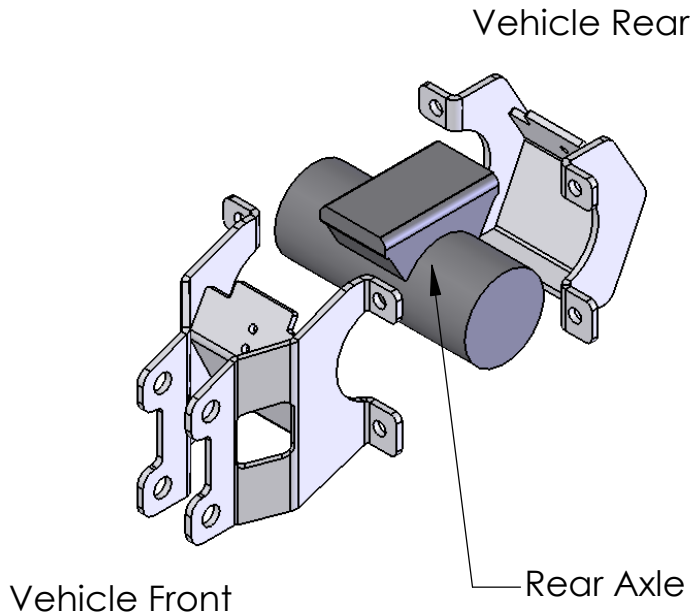
RIZE INDUSTRIES, LLC.

TITLE:

SIZE A	DWG. NO. Trac bar Frame Mount Drv	REV
------------------	--------------------------------------	-----

SCALE: 1:8	WEIGHT:	SHEET 2 OF 9
------------	---------	--------------

Driver/Passenger Traction Bar Axle Mounting



- (4) 1/2x1_1/2" Bolts
- (8) 1/2" Washers
- (4) 1/2" Nylok Nuts

PROPRIETARY AND CONFIDENTIAL
 THE INFORMATION CONTAINED IN THIS DRAWING IS THE SOLE PROPERTY OF RIZE INDUSTRIES. ANY REPRODUCTION IN PART OR AS A WHOLE WITHOUT THE WRITTEN PERMISSION OF RIZE INDUSTRIES IS PROHIBITED AND WILL BE PROSECUTED TO THE FULLEST EXTENT OF THE LAW.

		UNLESS OTHERWISE SPECIFIED:		NAME	DATE	RIZE INDUSTRIES, LLC.		
		DIMENSIONS ARE IN INCHES TOLERANCES: FRACTIONAL ± ANGULAR: MACH ± BEND ± TWO PLACE DECIMAL ± THREE PLACE DECIMAL ±	DRAWN					
		INTERPRET GEOMETRIC TOLERANCING PER:	CHECKED			SIZE DWG. NO. REV A Trac bar Frame Mount Drv		
NEXT ASSY	USED ON	MATERIAL	ENG APPR.					
APPLICATION		FINISH	MFG APPR.					
		DO NOT SCALE DRAWING	Q.A.					
			COMMENTS:					

5

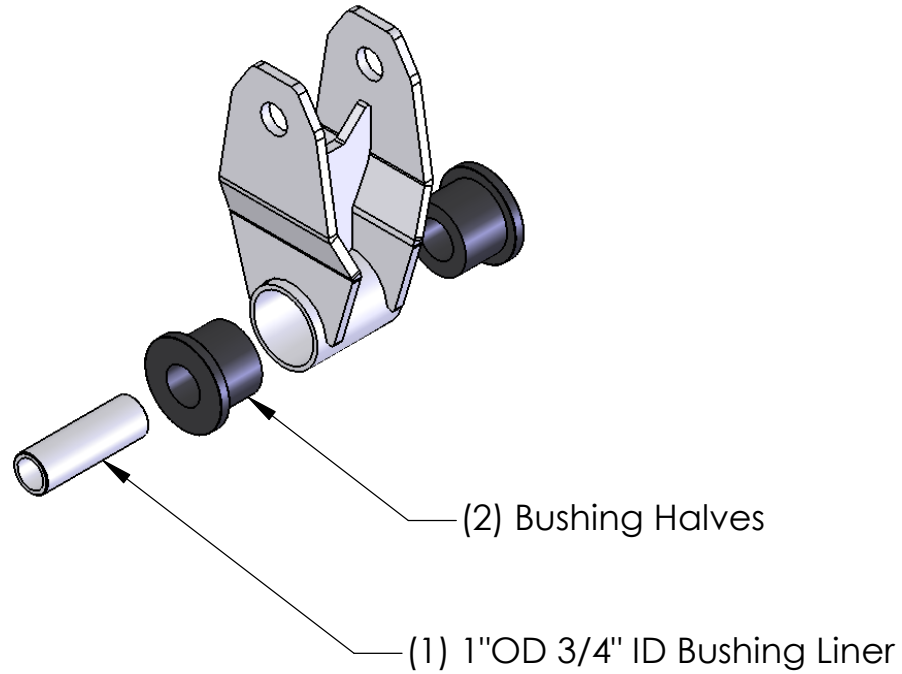
4

3

2

1

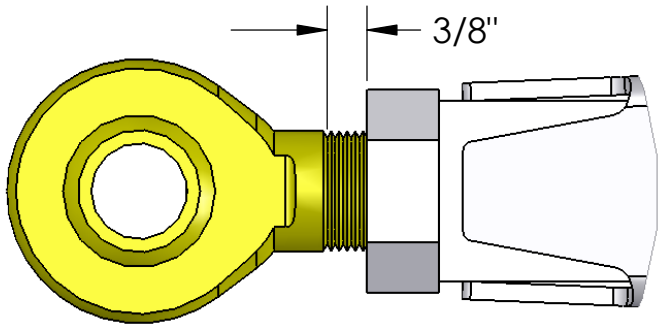
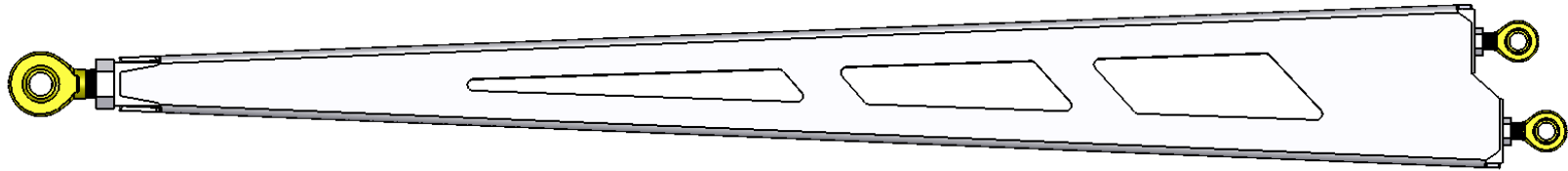
Driver/Passenger Shackle Assembly



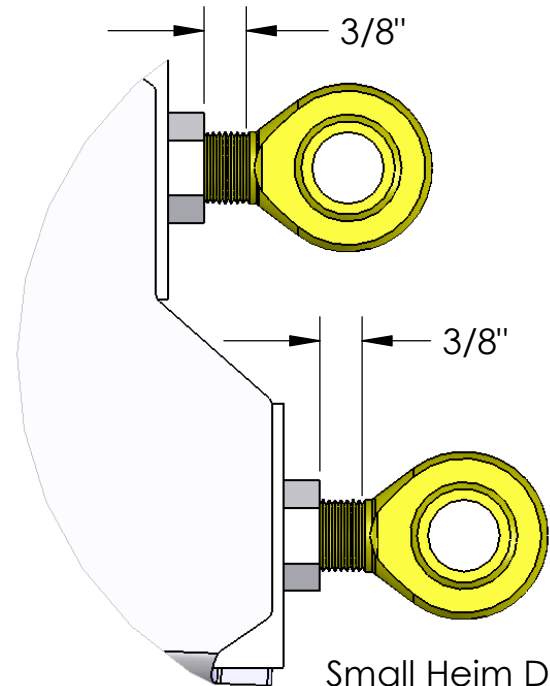
PROPRIETARY AND CONFIDENTIAL
 THE INFORMATION CONTAINED IN THIS DRAWING IS THE SOLE PROPERTY OF RIZE INDUSTRIES. ANY REPRODUCTION IN PART OR AS A WHOLE WITHOUT THE WRITTEN PERMISSION OF RIZE INDUSTRIES IS PROHIBITED AND WILL BE PROSECUTED TO THE FULLEST EXTENT OF THE LAW.

		UNLESS OTHERWISE SPECIFIED:		NAME	DATE	RIZE INDUSTRIES, LLC.		
		DIMENSIONS ARE IN INCHES		DRAWN		TITLE:		
		TOLERANCES:		CHECKED				
		FRACTIONAL ±		ENG APPR.				
		ANGULAR: MACH ± BEND ±		MFG APPR.				
		TWO PLACE DECIMAL ±		Q.A.		SIZE A DWG. NO. Trac bar Frame Mount Drv REV SCALE: 1:4 WEIGHT: SHEET 4 OF 9		
		THREE PLACE DECIMAL ±		COMMENTS:				
		INTERPRET GEOMETRIC TOLERANCING PER:						
		MATERIAL						
		FINISH						
NEXT ASSY	USED ON							
APPLICATION		DO NOT SCALE DRAWING						

Driver Traction Bar Assembly



Large Heim Detail



Small Heim Detail

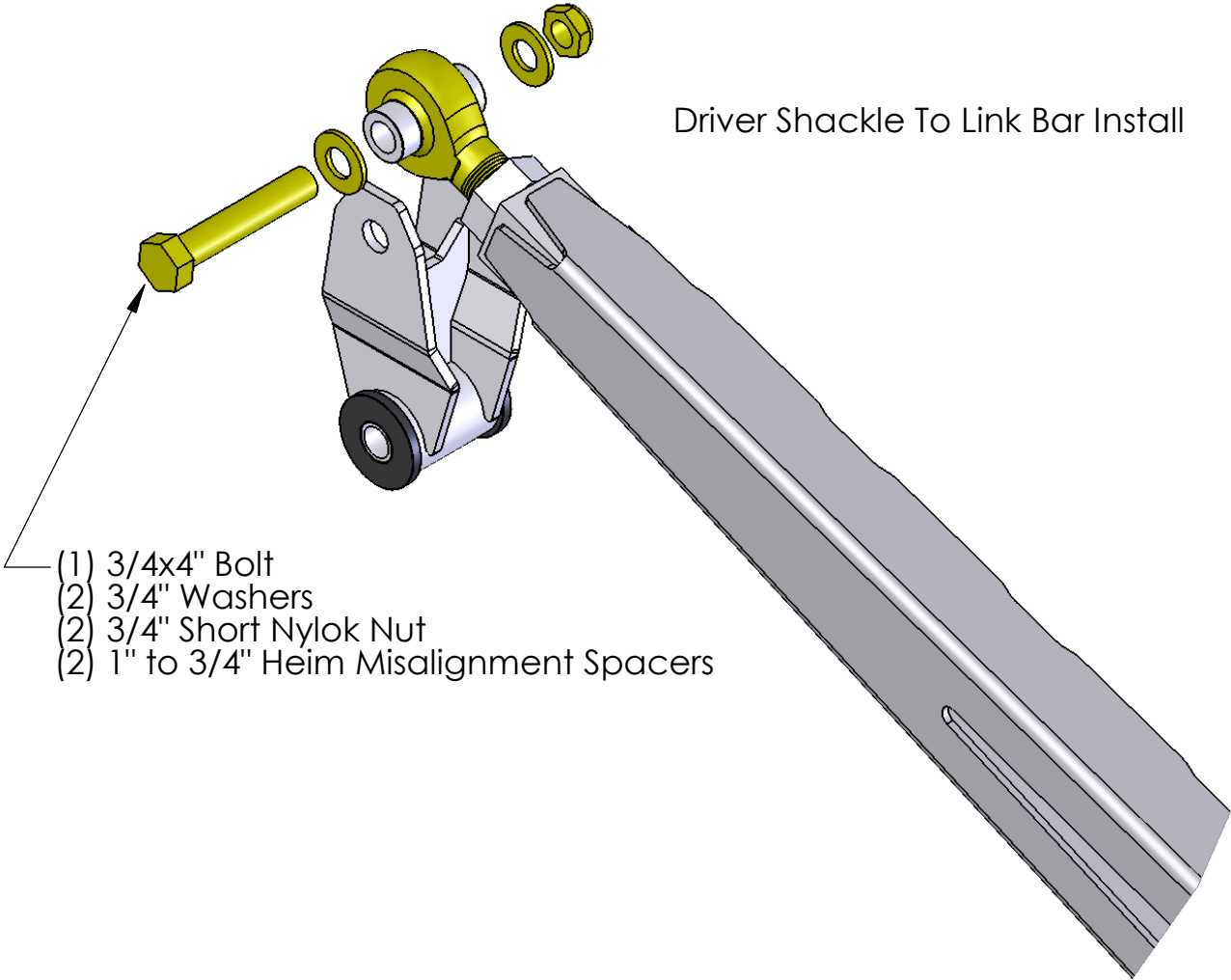
Due To Manufacturing Tolerance In These Vehicles
These are only starting points, and adjustments are necessary.

PROPRIETARY AND CONFIDENTIAL
THE INFORMATION CONTAINED IN THIS DRAWING IS THE SOLE PROPERTY OF RIZE INDUSTRIES. ANY REPRODUCTION IN PART OR AS A WHOLE WITHOUT THE WRITTEN PERMISSION OF RIZE INDUSTRIES IS PROHIBITED AND WILL BE PROSECUTED TO THE FULLEST EXTENT OF THE LAW.

		UNLESS OTHERWISE SPECIFIED:		NAME	DATE
		DIMENSIONS ARE IN INCHES	DRAWN		
		TOLERANCES:	CHECKED		
		FRACTIONAL ±	ENG APPR.		
		ANGULAR: MACH ± BEND ±	MFG APPR.		
		TWO PLACE DECIMAL ±	Q.A.		
		THREE PLACE DECIMAL ±	COMMENTS:		
		INTERPRET GEOMETRIC TOLERANCING PER:			
		MATERIAL			
NEXT ASSY	USED ON	FINISH			
APPLICATION		DO NOT SCALE DRAWING			

RIZE INDUSTRIES, LLC.		
TITLE:		
SIZE	DWG. NO.	REV
A	Trac bar Frame Mount Drv	
SCALE: 1:8	WEIGHT:	SHEET 5 OF 9

Driver Shackle To Link Bar Install



- (1) 3/4x4" Bolt
- (2) 3/4" Washers
- (2) 3/4" Short Nylok Nut
- (2) 1" to 3/4" Heim Misalignment Spacers

PROPRIETARY AND CONFIDENTIAL
 THE INFORMATION CONTAINED IN THIS DRAWING IS THE SOLE PROPERTY OF RIZE INDUSTRIES. ANY REPRODUCTION IN PART OR AS A WHOLE WITHOUT THE WRITTEN PERMISSION OF RIZE INDUSTRIES IS PROHIBITED AND WILL BE PROSECUTED TO THE FULLEST EXTENT OF THE LAW.

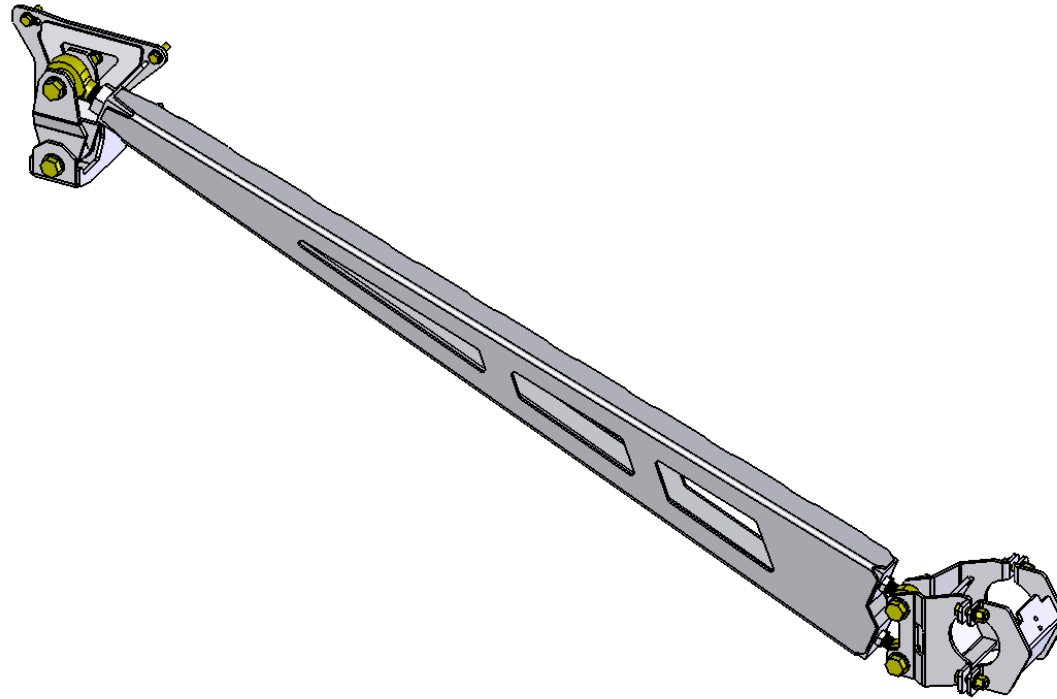
		UNLESS OTHERWISE SPECIFIED:		NAME	DATE
		DIMENSIONS ARE IN INCHES	DRAWN		
		TOLERANCES:	CHECKED		
		FRACTIONAL ±	ENG APPR.		
		ANGULAR: MACH ± BEND ±	MFG APPR.		
		TWO PLACE DECIMAL ±	Q.A.		
		THREE PLACE DECIMAL ±	COMMENTS:		
		INTERPRET GEOMETRIC TOLERANCING PER:			
		MATERIAL			
NEXT ASSY	USED ON	FINISH			
APPLICATION		DO NOT SCALE DRAWING			

RIZE INDUSTRIES, LLC.

TITLE:

SIZE **A** DWG. NO. Trac bar Frame Mount Drv REV

SCALE: 1:4 WEIGHT: SHEET 6 OF 9

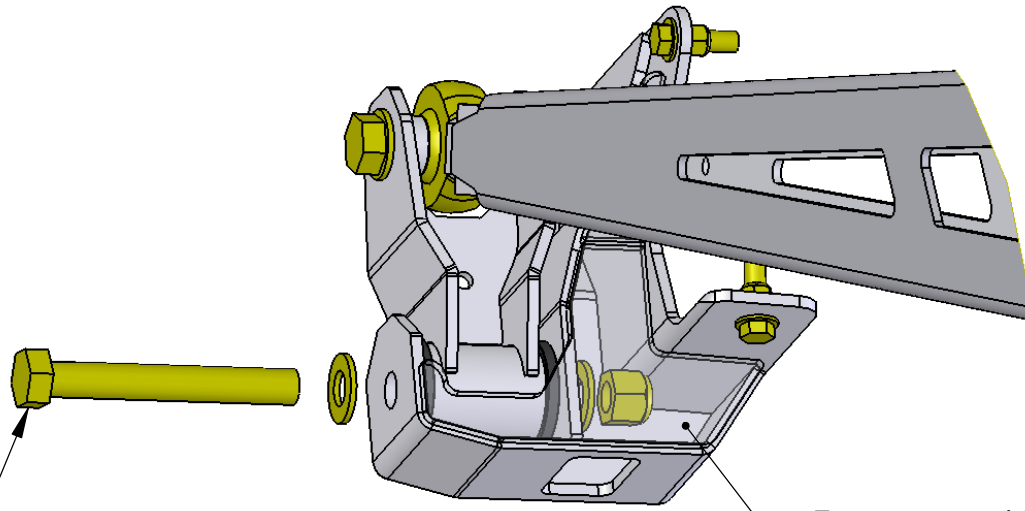


Driver Side Target Assembly

PROPRIETARY AND CONFIDENTIAL
 THE INFORMATION CONTAINED IN THIS DRAWING IS THE SOLE PROPERTY OF RIZE INDUSTRIES. ANY REPRODUCTION IN PART OR AS A WHOLE WITHOUT THE WRITTEN PERMISSION OF RIZE INDUSTRIES IS PROHIBITED AND WILL BE PROSECUTED TO THE FULLEST EXTENT OF THE LAW.

		UNLESS OTHERWISE SPECIFIED:		NAME	DATE	RIZE INDUSTRIES, LLC.			
		DIMENSIONS ARE IN INCHES		DRAWN		TITLE:			
		TOLERANCES:		CHECKED					
		FRACTIONAL ±		ENG APPR.					
		ANGULAR: MACH ± BEND ±		MFG APPR.					
		TWO PLACE DECIMAL ±		Q.A.		SIZE DWG. NO. REV			
		THREE PLACE DECIMAL ±		COMMENTS:					A Trac bar Frame Mount Drv
		INTERPRET GEOMETRIC TOLERANCING PER:				SCALE: 1:12		WEIGHT:	SHEET 7 OF 9
		MATERIAL							
		FINISH							
	NEXT ASSY	USED ON							
	APPLICATION		DO NOT SCALE DRAWING						

Driver Traction Bar To Frame Mount Install



- (1) 3/4x5_1/2" Bolt
- (2) 3/4" Washers
- (1) 3/4" Nylok Nut

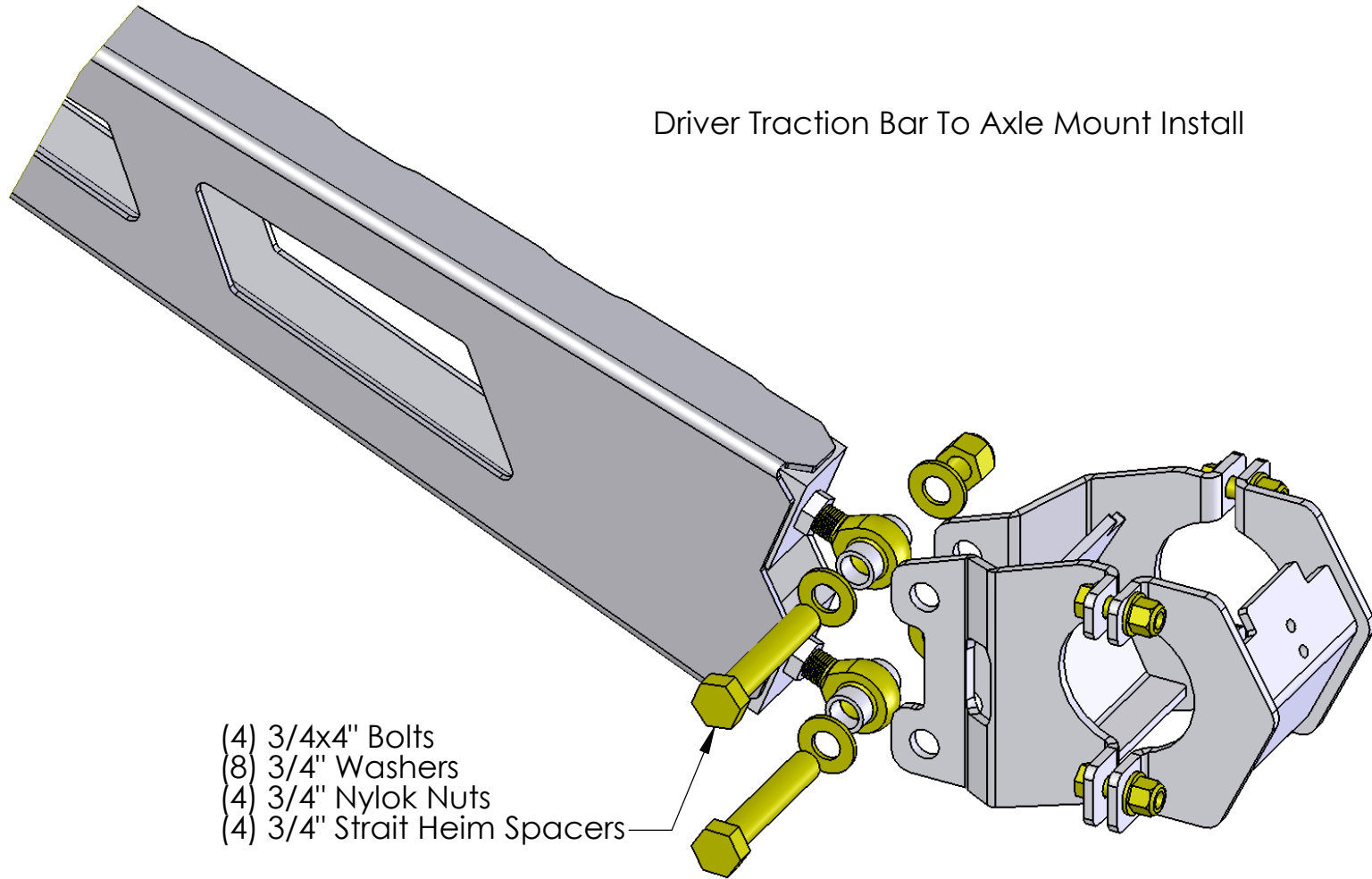
Transparent To Show Hardware Assembly

PROPRIETARY AND CONFIDENTIAL
 THE INFORMATION CONTAINED IN THIS DRAWING IS THE SOLE PROPERTY OF RIZE INDUSTRIES. ANY REPRODUCTION IN PART OR AS A WHOLE WITHOUT THE WRITTEN PERMISSION OF RIZE INDUSTRIES IS PROHIBITED AND WILL BE PROSECUTED TO THE FULLEST EXTENT OF THE LAW.

		UNLESS OTHERWISE SPECIFIED:		NAME	DATE
		DIMENSIONS ARE IN INCHES	DRAWN		
		TOLERANCES:	CHECKED		
		FRACTIONAL ±	ENG APPR.		
		ANGULAR: MACH ± BEND ±	MFG APPR.		
		TWO PLACE DECIMAL ±	Q.A.		
		THREE PLACE DECIMAL ±	COMMENTS:		
		INTERPRET GEOMETRIC TOLERANCING PER:			
		MATERIAL			
NEXT ASSY	USED ON	FINISH			
APPLICATION		DO NOT SCALE DRAWING			

RIZE INDUSTRIES, LLC.		
TITLE:		
SIZE	DWG. NO.	REV
A	Trac bar Frame Mount Drv	
SCALE: 1:4	WEIGHT:	SHEET 8 OF 9

Driver Traction Bar To Axle Mount Install



- (4) 3/4x4" Bolts
- (8) 3/4" Washers
- (4) 3/4" Nylok Nuts
- (4) 3/4" Strait Heim Spacers

PROPRIETARY AND CONFIDENTIAL
 THE INFORMATION CONTAINED IN THIS DRAWING IS THE SOLE PROPERTY OF RIZE INDUSTRIES. ANY REPRODUCTION IN PART OR AS A WHOLE WITHOUT THE WRITTEN PERMISSION OF RIZE INDUSTRIES IS PROHIBITED AND WILL BE PROSECUTED TO THE FULLEST EXTENT OF THE LAW.

		UNLESS OTHERWISE SPECIFIED:		NAME	DATE
		DIMENSIONS ARE IN INCHES	DRAWN		
		TOLERANCES:	CHECKED		
		FRACTIONAL ±	ENG APPR.		
		ANGULAR: MACH ± BEND ±	MFG APPR.		
		TWO PLACE DECIMAL ±	Q.A.		
		THREE PLACE DECIMAL ±	COMMENTS:		
		INTERPRET GEOMETRIC TOLERANCING PER:			
		MATERIAL			
NEXT ASSY	USED ON	FINISH			
APPLICATION		DO NOT SCALE DRAWING			

RIZE INDUSTRIES, LLC.

TITLE:

SIZE A	DWG. NO. Trac bar Frame Mount Drv	REV
------------------	--------------------------------------	-----

SCALE: 1:4	WEIGHT:	SHEET 9 OF 9
------------	---------	--------------