

DIAGRAM 1

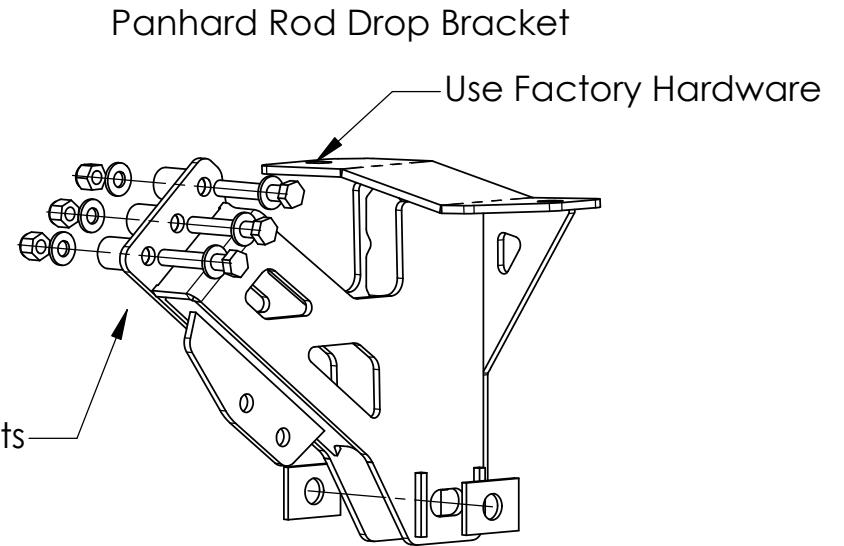
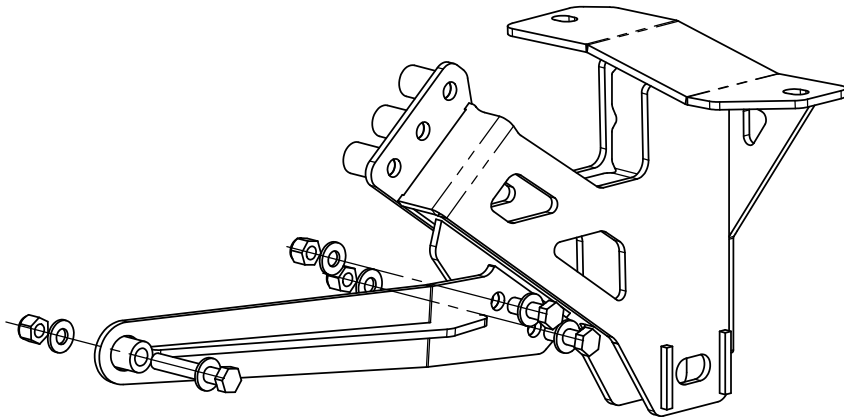


Diagram 2a

- (3) 1/2x3" Bolts
- (6) 1/2" Washers
- (3) 1/2" Nylok Nuts

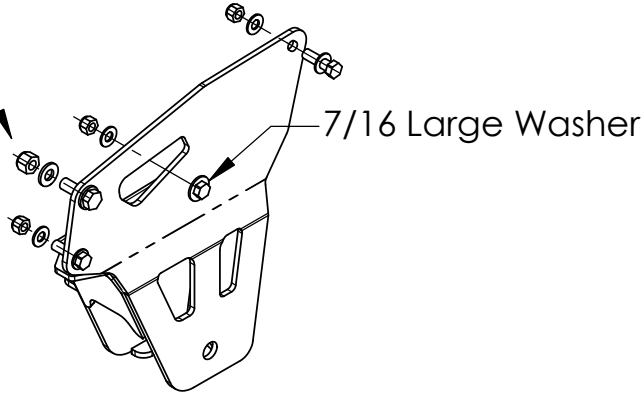
Panhard Rod Drop Bracket
w/ Support Gusset



- (2) 1/2x1 1/2" Bolts
 - (1) 1/2x3" Bolt
 - (6) 1/2" Washers
 - (3) 1/2" Nylok Nuts
- Diagram 2b**

Quad Link Drop Bracket
Driver Side

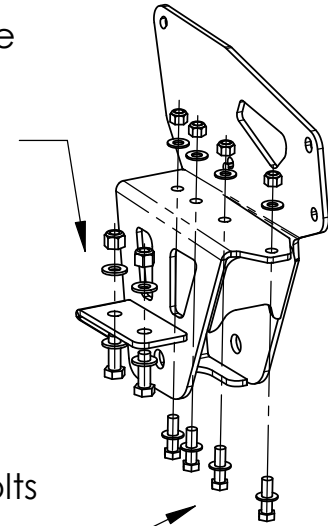
- (1) 1/2x1_1/2" Bolt
- (2) 1/2" Washer
- (1) 1/2" Nylok Nut



- Frame Hardware
All hardware listed below unless noted otherwise.
- (3) 7/16x1-1/2" Bolts
 - (5) 7/16 Washers
 - (3) 7/16 Nylok Nuts

Diagram 3a

- Skid Plate Hardware
- (2) 1/2x1_1/2" Bolt
 - (4) 1/2" Washer
 - (2) 1/2" Nylok Nut



- Frame Hardware
- (4) 7/16x1-1/2" Bolts
 - (8) 7/16 Washers
 - (4) 7/16 Nylok Nuts

Diagram 3b

Quad Link Drop Bracket
Passenger Side

Hardware Same as Driver Side

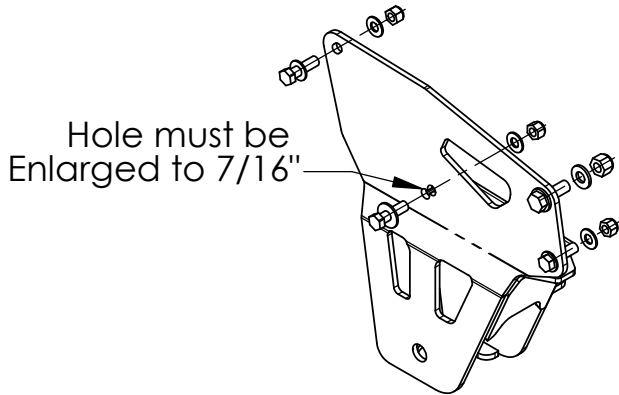


Diagram 4

Rize Industries, LLC.
919 El Cajon Blvd.
El Cajon CA 92020
Tel. 619-447-0110

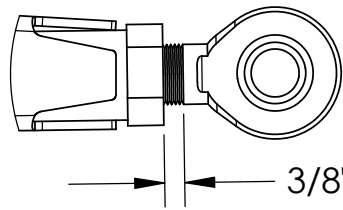


Diagram 5

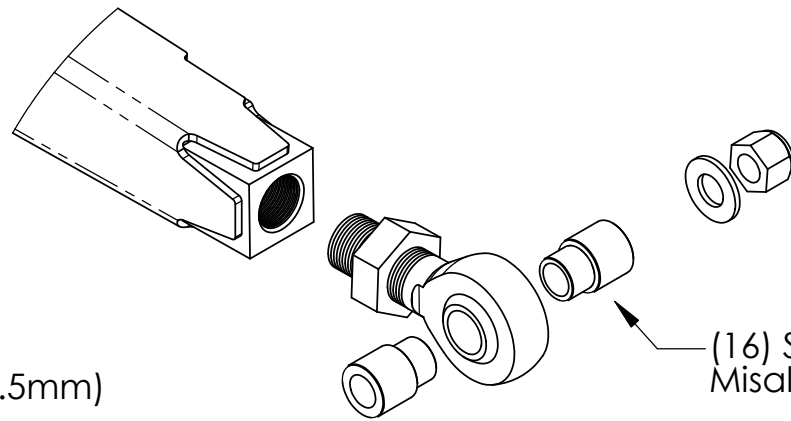


Diagram 6

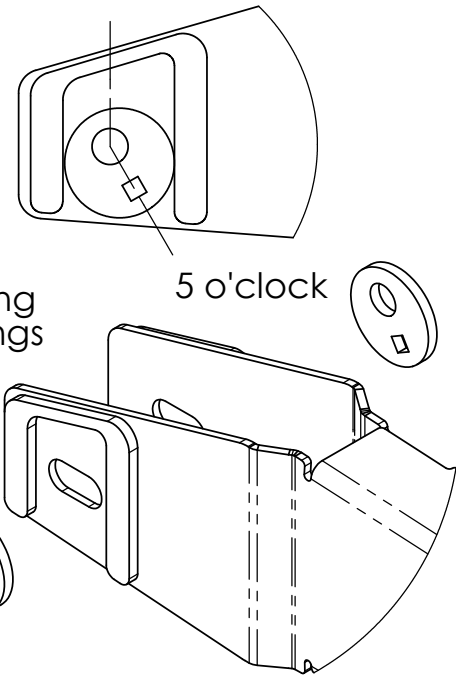


Diagram 7

NOTE:
On 6" Kits, the
limit strap connects
here directly.

Frame Must
Be Opened Up
To 1/2"

Limit Strap Bracket
Drivers Side

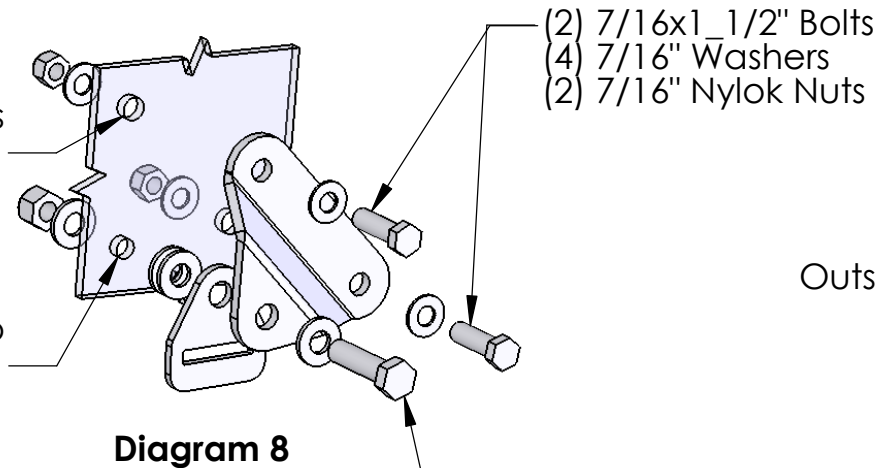


Diagram 8

- (1) 1/2x2" Bolt
- (4) 1/2" Washers
- (1) 1/2" Nylok Nut

Sway Bar Drop Top

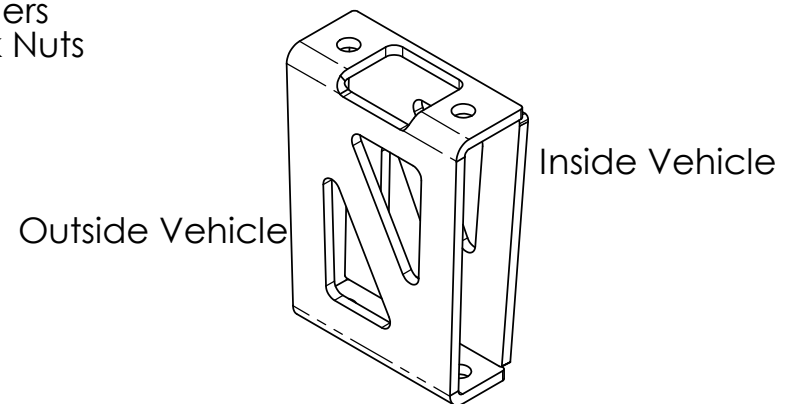


Diagram 9

Rize Industries, LLC.
919 El Cajon Blvd.
El Cajon CA 92020
Tel. 619-447-0110